



Looking for Investors for Make in India

FOR MORE DETAILS ABOUT THE PRODUCT
PLEASE VISIT OUR WEBSITE

www.unmannedinnovations.com

EMAIL

info@unmannedinnovations.com

INNOVATIVE
UNMANNED SYSTEMS

ADDRESS

301, The Spire, Nr. Sheetal Park, 150 Ft. Ring Road,
Rajkot - 360007, Gujarat, India

INTRODUCED IN INDIA
BY
AUTHORIZED DISTRIBUTOR
INNOVATIVE UNMANNED SYSTEMS

AXH-E230RS - THE FIRST TYPE CERTIFIED UAV IN TAIWAN

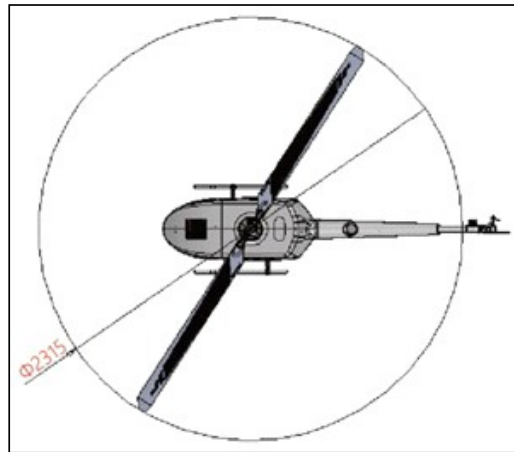


TECHNICAL SPECIFICATIONS



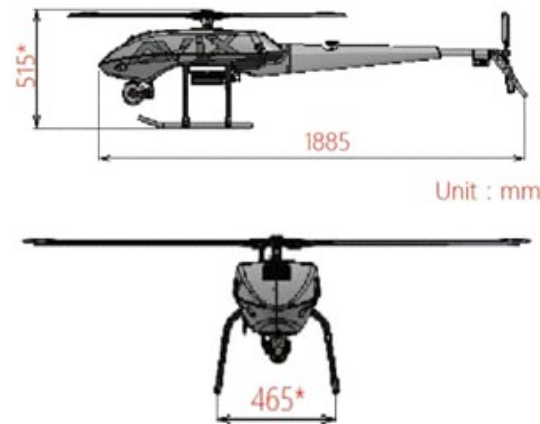
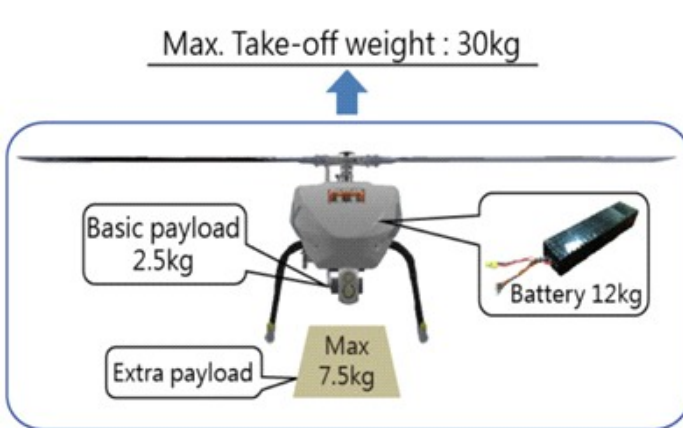
AXH-E230RS is a professional multi-function unmanned helicopter, specially designed for long-distance reconnaissance and surveillance application.

AXH-E230RS is featured with heavy payload capacity, low noise, low vibration, long endurance.



Max. Take-off Weight	30 Kg
Max. Payload	7.5 Kg
Max. Cruise Speed	85 Km/Hr
Max. Flying Altitude	3000 m
Endurance	60 Mins.
Wind Resistance	Above Beaufort Level 6

CUSTOMIZED PAYLOAD OPTION AVAILABLE



AXH-E230RS - A LONG ENDURANCE ELECTRIC HELICOPTER



APPLICATIONS



COASTAL RECONNAISSANCE AND SURVEILLANCE

MAJOR APPLICATIONS

COASTGUARD SURVEILLANCE	PAYLOAD DELIVERY
COASTAL DISASTER - FIRST RESPONDENT	SAVING LIVES IN THE OCEAN
PRECAUTIONARY ACTIONS BEFORE CYCLONE	ISLAND MONITORING
LAW AND ORDER SITUATION MONITORING	INCIDENT MONITORING

CAN BE USED BY

COASTGUARD UNIT	NDRF
NAVY VESSELS	SECURITY FORCES
BORDER SECURITY FORCES	ARMY AND AIRFORCE UNITS FOR VARIOUS APPLICATIONS